

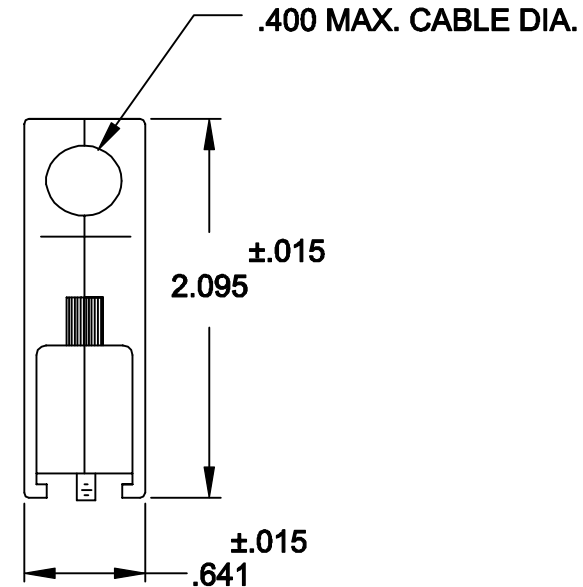
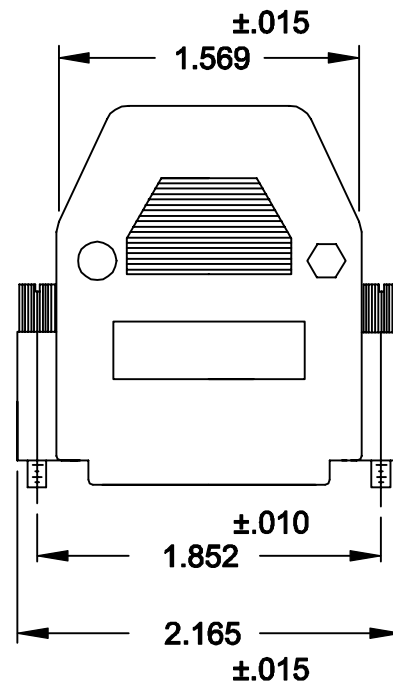
DESCRIPTION: **993 SERIES 45 DEGREE ENTRY D-SUB BACKSHELL**

BACKSHELL KIT INCLUDES:

- (2) BACKSHELL HALVES
- (2) HOUSING SCREWS
- (2) HOUSING NUTS
- (2) 4-40 THUMBSCREWS
- (2) STRAIN RELIEF CLAMPS
- (2) STRAIN RELIEF SCREWS

993-XXX-XXX-XX1

Series _____
 Position _____
 025 _____
 Material _____
 010 = Plastic
 020 = Metalized Plastic
 Color: _____
 03 = Grey
 12 = Chrome
 Put-Up: _____
 1 = Kit



METALIZED PLASTIC:
MATERIAL: ABS HIGH TEMPERATURE PLASTIC 94HB

METALIZED PLATING:
CHROME

PLASTIC:
MATERIAL: ABS HIGH TEMPERATURE PLASTIC 94HB



THESE DRAWINGS AND SPECIFICATIONS ARE THE PROPERTY OF NorComp AND SHALL NOT BE REPRODUCED, COPIED OR USED AS THE BASIS FOR THE MANUFACTURE OR SALE OF APPARATUS WITHOUT WRITTEN PERMISSION.

DRAWN:
PAM JENKINS

DATE:
9-15-99

CHECKED:

DATE:

NorComp

SCALE _____ SHEET OF _____ REV **4**

DWG NO. **993-025-XXX-XX1**